

apaiser



# INSTALLATION & CARE GUIDE

GENERAL GUIDE FOR BATH, BASIN & VANITY INSTALLATIONS



---

# INSTALLATION

## IMPORTANT NOTES

2.

### BEFORE YOU START :

To ensure this product is installed properly, please read these instructions carefully before you begin. (Certain installations may require professional help.) Also be sure your installation conforms to local codes.

Please note all apaiser products pass rigorous quality control procedures including visual and physical inspection. Please uncrate the bath, and check carefully for any damage which may have occurred in transport. In the unlikely event an apaiser product has arrived with damage, please do not install the product and report to apaiser within 48 hours. See warranty details for further information.

apaiser freestanding baths are designed to sit directly on the floor surface, and typically do not have a cavity designed to hide plumbing components. Please ensure suitable provision for connections are established prior to installation.

### GENERAL INSTALLATION NOTES

- All apaiser items should be adhered into place using trade quality wet area approved silicone.
- apaiser vanities must be supported from beneath by way of suitable frame work or hung by suitable bracketing.
- The below connections are suitable to be used for Bath tubs, Hand basins, and Integrated Vanities, please consult a licensed contractor to determine which will best suit the requirements on site.
- These installation instructions are considered a guide only. As each installation may be different, it is important to be aware of your local building codes and regulations. Use of a licensed & qualified contractor is essential.

### MOVING PRODUCTS ON SITE :

- Timber crates must never be turned over onto their side or end with the product inside.
- Always observe correct lifting techniques when moving apaiser marble products, many will require more than two persons to lift safely.

Remove baths from the crate to move them through a doorway or smaller access area than the crate will fit.

Depending on the number of baths to be moved and your specific access conditions on site, apaiser suggests to use one of three common methods to maneuver the bath into the room for installation.

1. Suitable man power to lift the bath, turning it momentarily sideways through an entry point.
2. Using thick blankets placed on the floor, the apaiser bath can be rested on its side temporarily on these blankets, (which protect the floor, door jams, and the apaiser bath) and with suitable manpower, slide the blankets with the bath through the opening and return the bath to its flat base to continue moving once inside the room.
3. Source a suitable dolly with wheels, that will cradle the bath (some soft packing material may be required to prevent scratching or marking) and wheel into position.

---

# BATH & BASIN

## PLACEMENT AND CONNECTION

3.

### BATH INSTALLATION

apaiser recommends the use of a flexible pipe joiner to make the connection between the bath and the in-floor P-trap. This allows the in-floor P-trap to be connected to the mains waste system prior to the bath being fitted.

1. Check to make sure the floor surface is flat and level.
2. Place the bath into position over the waste outlet hole so the waste is aligned, and sit the bath on equal height supports no higher than the maximum extension of the flexible pipe. Your apaiser product can be transported on its side temporarily to move through doorways. Always return to level / flat when possible. Do not rest the apaiser bath on its end.
3. Reach beneath the bath and connect the outlet, to the bath waste thread. **Note:** If the bath has an overflow, ensure that the slot in the waste thread aligns with overflow discharge point in bath. Secure the pipe and the waste and at this stage, water test to ensure a water tight seal. Be sure to allow enough room for the expanding pipe to compress without pinching as the bath is lowered and always maintain a downwards direction of the pipe so water will not pool.
4. Remove the supports, and gently lower the bath into position. Fill the bath with water and water test again to make sure no water leaks from the fittings and that drainage is adequate. Ensure the expanding pipe is not being pinched when positioning the bath.
5. Lift the bath again and support with small blocks. Using bathroom grade (mould resistant) clear silicone, apply 6 beads of Silicone in approx 5cm ( 2 inch) circles, 2 at each side of bath, 1 at head, and 1 at foot of bath. Be sure to reach far enough under the bath that the silicone is not squeezed out between the floor and tub when lowered into position.
6. Remove the supports, and gently lower bath to floor. Silicone may be applied around the base of the bath if desired, but is not required. Finally, to protect the newly installed bath we recommend you use a plastic tarp or cloth to cover the bath until all construction works have finished.

**NOTE:** Some bath installations such as on a 2nd floor may not allow sufficient space for an in-floor p trap, in these cases, consultation with a licensed builder or plumber is required.

### BASIN & VANITY INSTALLATION

1. Place the basin into position on a pre-built joinery unit or mounting brackets. Your apaiser product can be transported on its side temporarily to move through doorways. Always return to level / flat when possible. Do not rest the apaiser product on its end.
2. Reach beneath the basin and connect the outlet to the basin waste thread. **Note:** If the basin has an overflow, ensure that the slot in the waste thread aligns with overflow discharge point. Secure the pipe and the waste and at this stage, water test to ensure a water tight seal.
3. Lift the basin and support with small blocks. Using bathroom grade (mould resistant) clear silicone, apply beads of silicone evenly at each side of basin. Be sure to reach far enough under the basin that the silicone does not get compressed out between the joinery unit and basin when lowering back down.
4. Remove the supports, and gently lower basin into position. Silicone may be applied around the bottom of the basin if desired, but is not required. Finally, to protect the newly installed basin we recommend you use a plastic tarp or cloth to cover the basin until all construction works have finished.

PLEASE SEE FOLLOWING PAGE FOR ILLUSTRATION OF GENERIC BATHTUB & BASIN INSTALLATIONS.

# BATH INSTALLATION

## TYPICAL BATH WASTE PLUMBING DIAGRAM

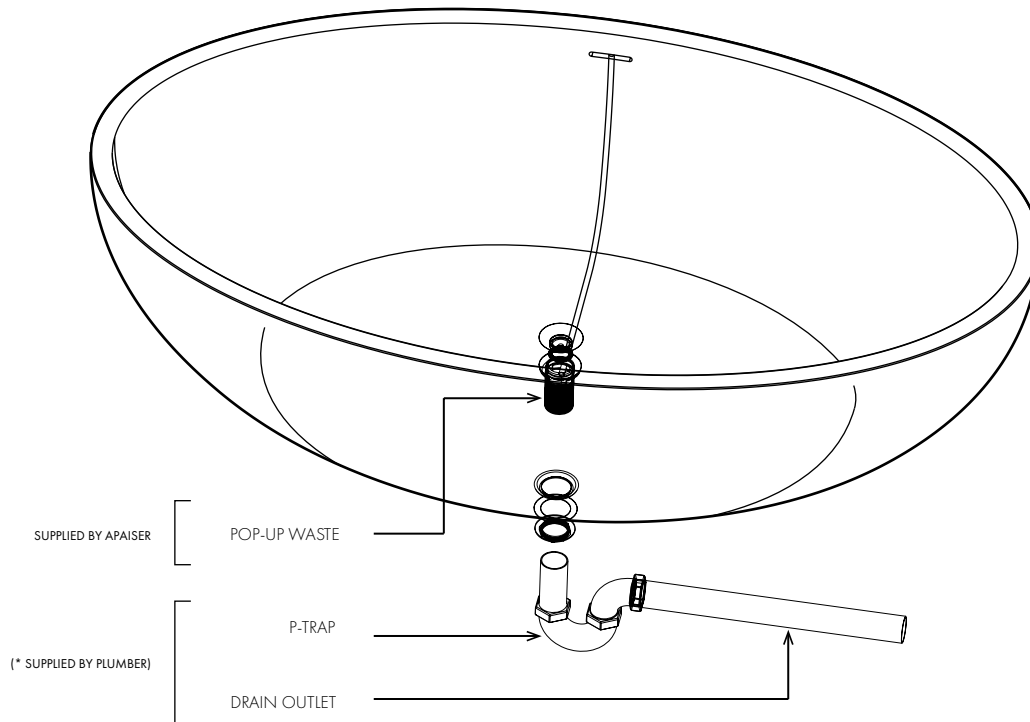
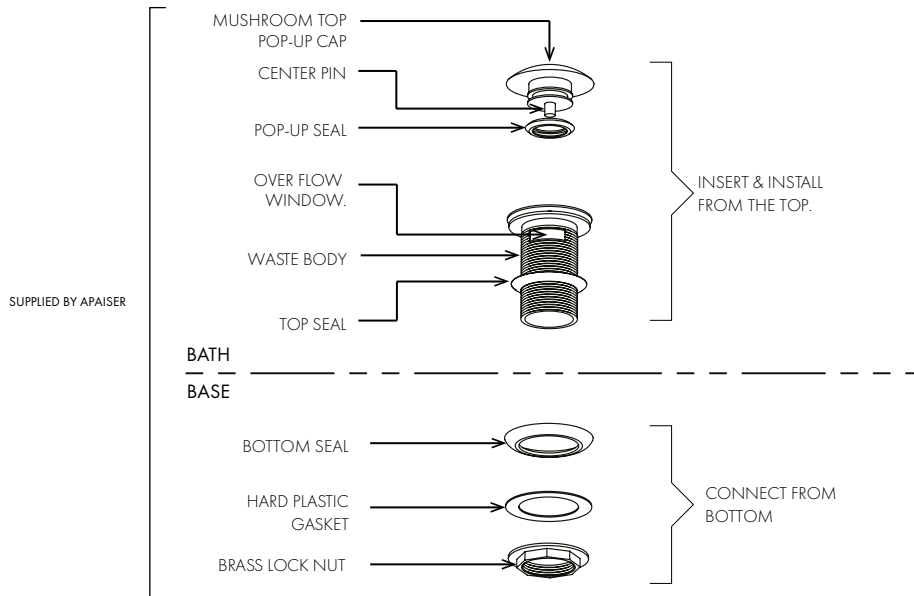
4.

### PIPE SPECIFICATION

1 1/2" BSP.

OUTSIDE DIAMETER (OD): 47mm

NOMINAL PIPE SIZE (NPS): 1 1/2" (DN 40mm)



# BASIN INSTALLATION

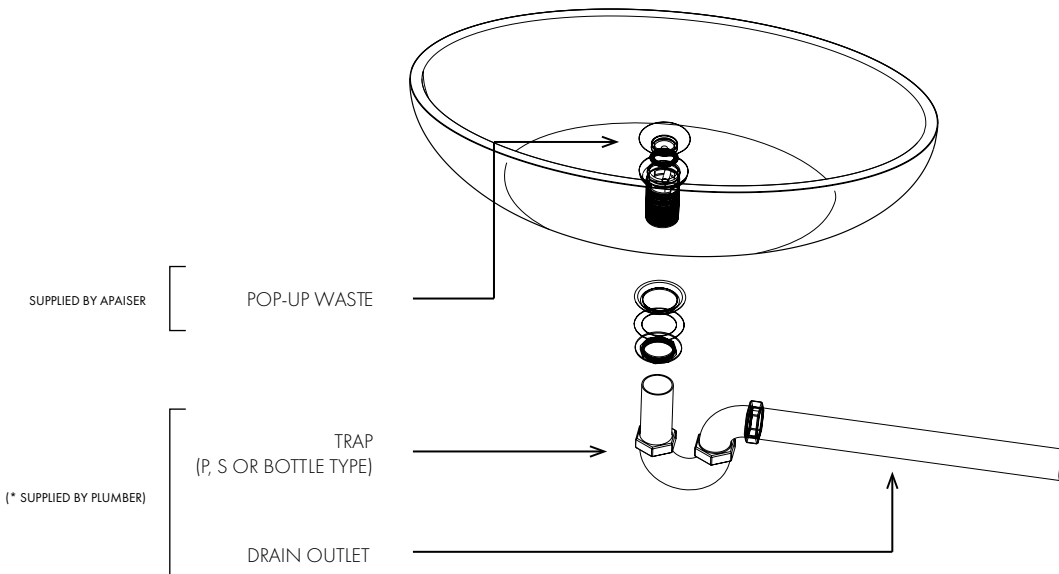
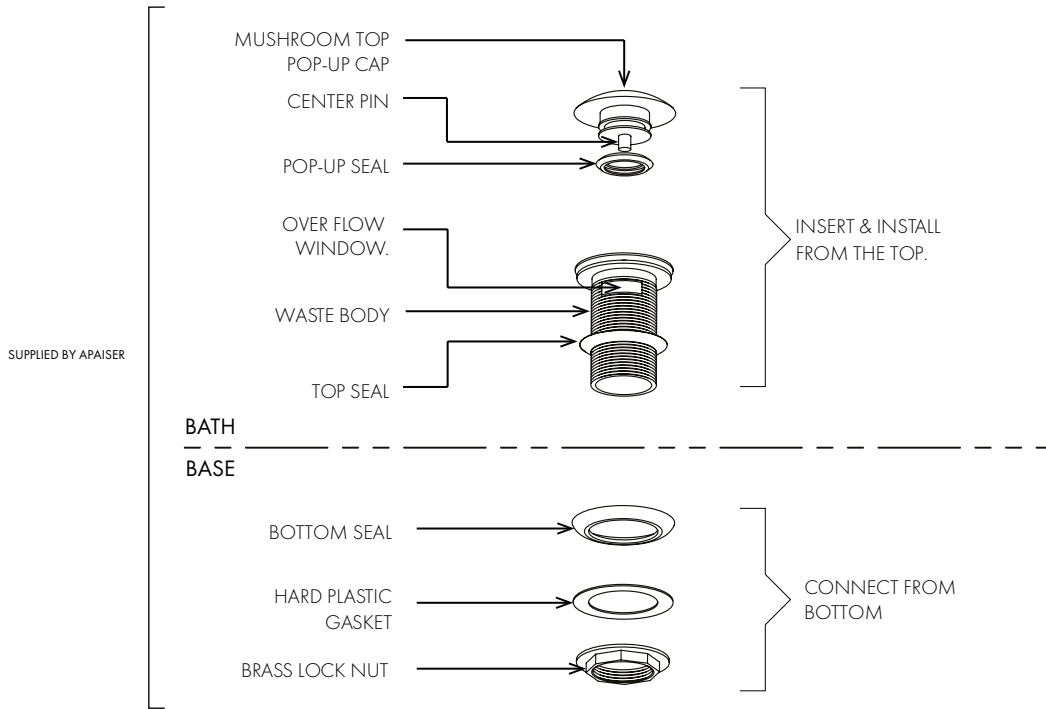
## TYPICAL BASIN WASTE PLUMBING DIAGRAM

### PIPE SPECIFICATION

1 1/4" BSP.

OUTSIDE DIAMETER (OD): 40mm

NOMINAL PIPE SIZE (NPS): 1 1/4" (DN 32mm)



# VANITY INSTALLATION

## TYPICAL VANITY WASTE PLUMBING DIAGRAM

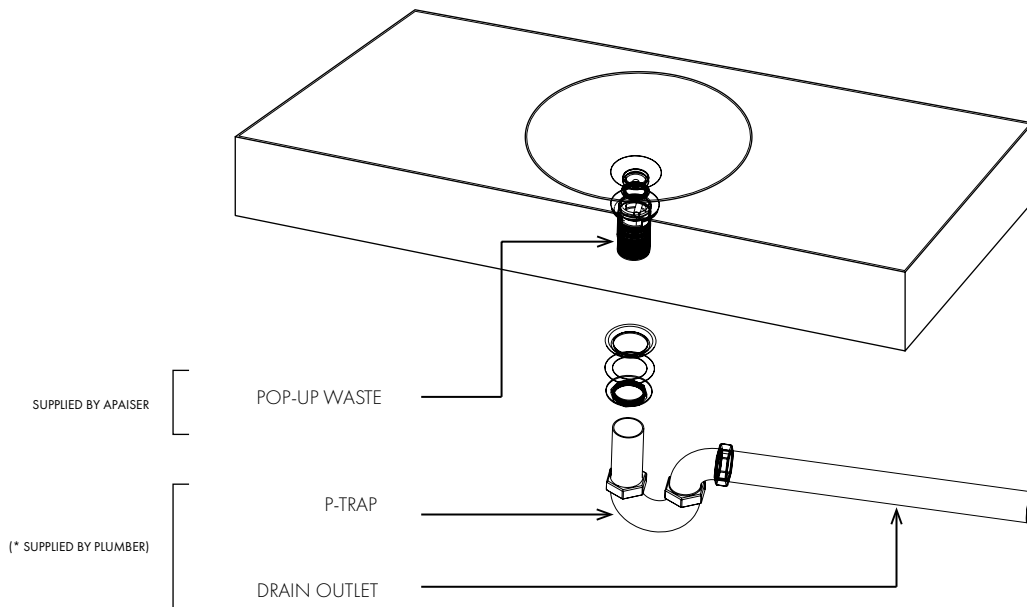
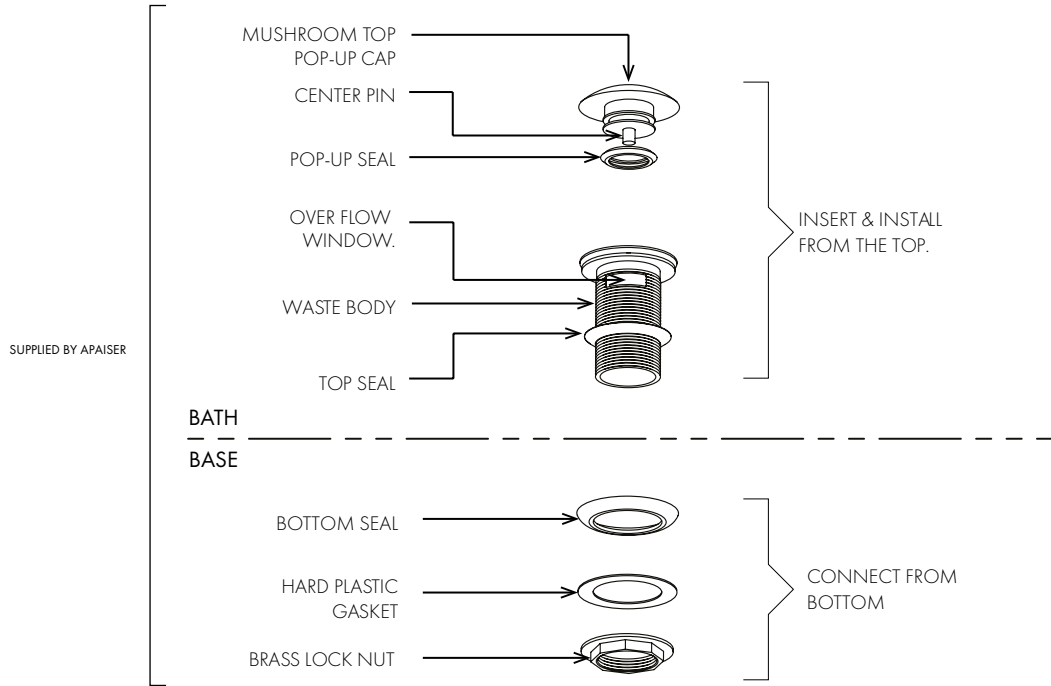
6.

### PIPE SPECIFICATION

1 1/4" BSP.

OUTSIDE DIAMETER (OD): 40mm

NOMINAL PIPE SIZE (NPS): 1 1/4" (DN 32mm)



---

# WASTE TRAPS

## SUITABLE CONNECTION TYPES

### NOTE

Waste traps, outlet drains and additional plumbing fittings are not supplied by apaiser.

### P-TRAP

Can be Chrome or Plastic, typically used where a waste pipe needs horizontal run off into a wall or joinery unit.



### S-TRAP

Usually plastic, typically used where trap is concealed and the waste pipe access is through the floor.



### BOTTLE-TRAP

Usually Chrome, typically used where the waste fitting is exposed, and the waste pipe runs horizontally into the wall.



### PLUMBDINGER (BATH ONLY)

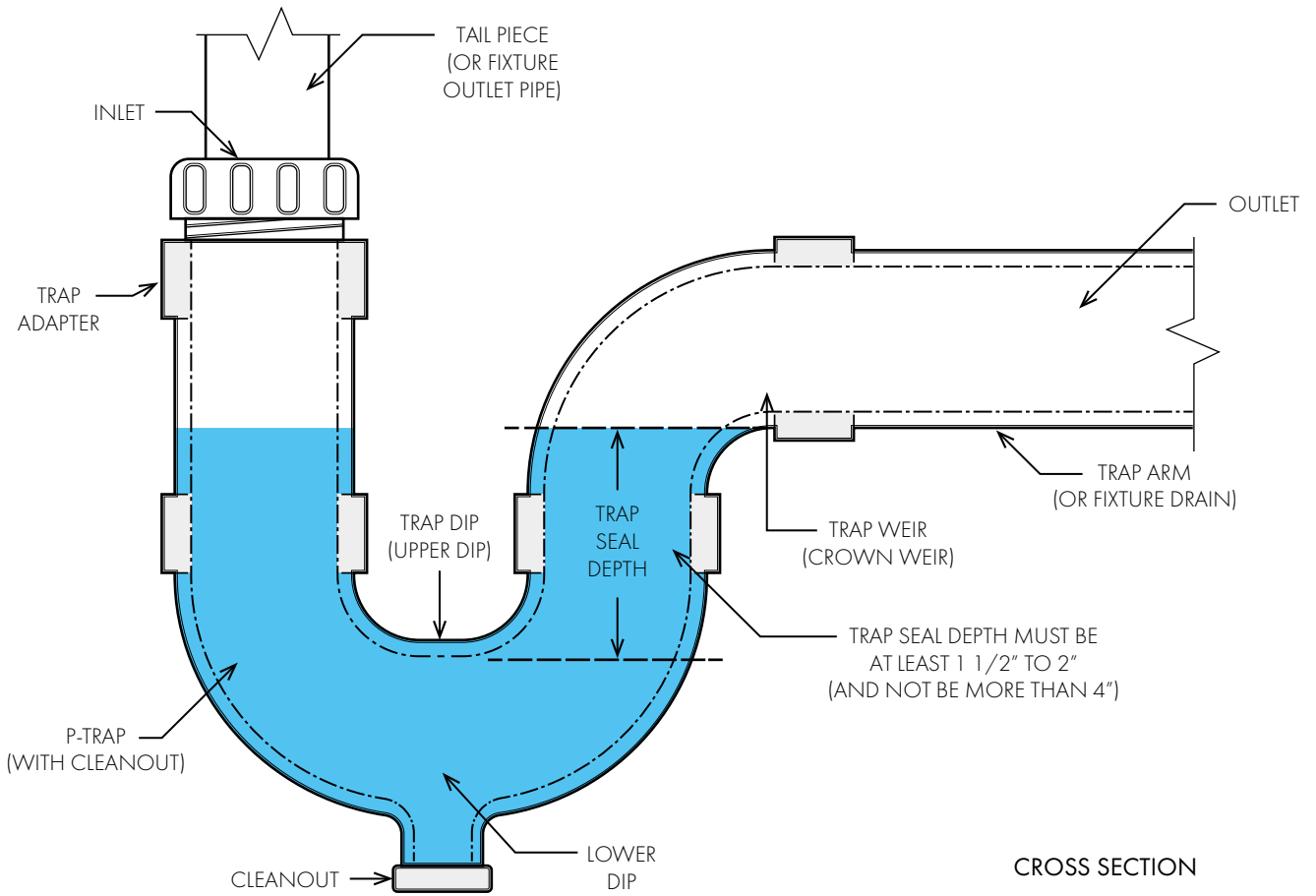
A compact fitting for use in baths where there limited cavity height between the floor and base.



# WASTE TRAPS

COMMON FEATURES OF A WASTE TRAP

8.





---

# CLEANING

## HOW TO CLEAN YOUR APAISER PRODUCTS

### AFTER INSTALLATION

The core properties of apaiserMARBLE® mean that the product is inert and non-porous. After installation of your product, if required, wash the item with warm water and a microfibre cloth. Stubborn marks may be removed with a cream cleanser such as Jif.

### DAILY CLEANING

For daily cleaning apaiser™ recommends a microfibre cloth and water, be sure to rinse and dry your product fully after cleaning. If a stain or substance is left on the surface, such as makeup, essential oils or soap scum and bath oils, use a cream cleanser and wet cloth. Be sure to rinse well, and fully dry your product after cleaning.

### NOTE :

Products containing acids may damage your apaiser product, and usage will void the warranty.

Only products recommended by the manufacturer as safe for use with natural or composite stone and marble should be used.

### WHAT YOU WILL NEED



Water sprayer bottle



Microfibre Cloth



Cream Cleanser

---

# FREQUENTLY ASKED QUESTIONS

## INSTALLATION INFORMATION

### How do I / should I fix my bath or basin in place?

This is site dependant and you should consult with your plumber / builder. apaiser will generally recommend the use of clear bathroom grade silicon to secure your bath or basin as construction adhesive is usually not required or recommended.

### How do I install a freestanding bath on a slab or floor with no access underneath?

apaizer recommends the use of a waste fitting connection such as a 'plumbdinger' or consatina type waste pipe. Consult with your plumber as to what best suits your site.

### My basin sits on a vanity slab and the combined thickness is greater than the chrome waste depth - how do I connect and secure the basin?

There are three common methods for resolving this issue:

- Use a suitable female to male 40mm or 32mm extension piece, these are commonly available from licensed plumbing outlets.
- Counter bore the vanity from beneath to the desired thickness.
- An oversized hole can be drilled through the vanity top and the entire waste is passed through the hole. The basin secures to the vanity with silicone.

### Can I hang my vanity?

apaizer vanities **MUST** be supported by suitable apaiser brackets / or suitable structures beneath the unit. Consultation with your builder is recommended.

### I have damaged my product during installation, what can I do ?

apaizer products are simple to repair in situ with commonly available tools and our easy to follow instructions, contact the apaiser service team at [service@apaizer](mailto:service@apaizer) for information on product repair.

### For more information:

apaizer™ service is available to assist with any queries you may have, you can contact them via email at [service@apaizer.com](mailto:service@apaizer.com)