



## GEOMETRICS

### Soka shower base

1500mm

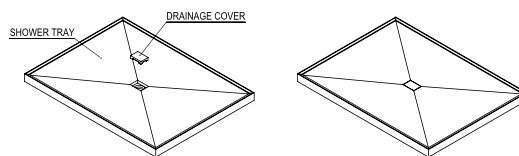
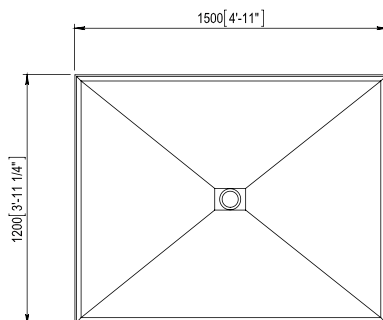
Handcrafted for both function and style, the Soka shower base is manufactured to the highest standards for slip resistance and performance. This piece offers the opportunity to complete the bathroom suite and deliver the ultimate showering experience.

#### DIMENSIONS

1500mm x 1200mm x 90mm



Product code 7069



### *apaiser* MARBLE

apaiserMARBLE® is a luxurious, performative, non-porous marble material, derived from reclaimed marble, enriched with the purity of Australian minerals. Offering enhanced performance, achieved through the integration of the most advanced materials, apaiserMARBLE is shaped and perfected by our master craftsmen.

We at apaiser are committed to manufacturing bathware, which is respectful of the environment. In all phases of our process, we strive to produce a product with consistently low environmental impact.

### *apaiser* CARE

A dedicated support platform comprising apaiser's in-house design and engineering professionals, provides superior service quality and peace of mind to all our project customers and retail installations. apaiserCARE® oversees design to delivery, installation and training.